

- **Factory Calibrated**
- **Compact Design**
- **4-20 mA Output**

This Compact, two-wire steam pressure transmitter measures gauge pressure and transmits a 4-20 mA output Signal. The transmitter is supplied with syphon loop steam trap and conduit coupling.

Specifications

Performance Data

Accuracy (at 70° F) ±0.25% FS
Stability 0.5% FS/Year

Electrical Data

Circuit 2-Wire
Output 4 to 20 mA
External Load 0 to 800 ohms

Environmental Data

Temperature
Operating °F (°C) -40 to +260 (-40 to +127)
Environmental Dry Indoor Locations

Physical Description

Case Stainless Steel & Valox
Sensor 17-4 PH Stainless Steel
Electrical Connection 2 ft. multi-conductor cable
Pressure Fitting 1/4" -18 NPT external,
Weight (approx.) 2.3 ounces (65 grams)

Ordering Information

Catalog Number	Pressure Range	Output
70600	0 - 25 psig	4-20 mA
70601	0 - 200 psig	4-20 mA
70602	0 - 500 psig	4-20 mA

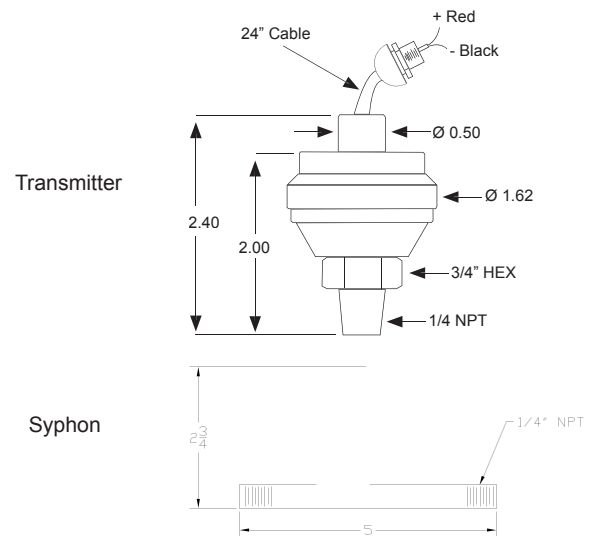


Syphon Loop Steam Trap

1/4" - 18 NPT external (with Coupling)

Conduit Coupling

1/2" NPT external Conduit Connection



PREFERRED INSTRUMENTS

31-35 South Street, Danbury, CT 06810 U.S.A.

TEL: (203) 743-6741 FAX: (203) 798-7313

www.preferredinstruments.com info@preferredinstruments.com